

# PCA173012-90141

PCX POLYMER CONCRETE ASSEMBLY

17" X 30" X 12"  
(For actual dimensions see drawing)

Polymer Concrete Assembly, Straight Sides, No Floor, WUC 3.6, ANSI/SCTE 77- "T22/32K, " 1/2" Captive Penta Bolts, Power EMS, Custom Stencil, Custom Nameplate (Specify at time of order) Cast-In

### LOAD RATINGS

Incidental Traffic - Parking Lot, Sidewalk  
Conforms to:

- WUC 3.6
- ASTM C 857
- ANSI/SCTE 77

### FEATURES:

- Drop-In nameplate
- Shipped assembled
- Skid resistant cover
- Stainless steel bolts
- Cast-in floating nut box  
- Integral drain holes

Additional product information  
continued on the reverse

**newbasis**  
Composites for Infrastructure

2626 Kansas Avenue  
Riverside, California 92507

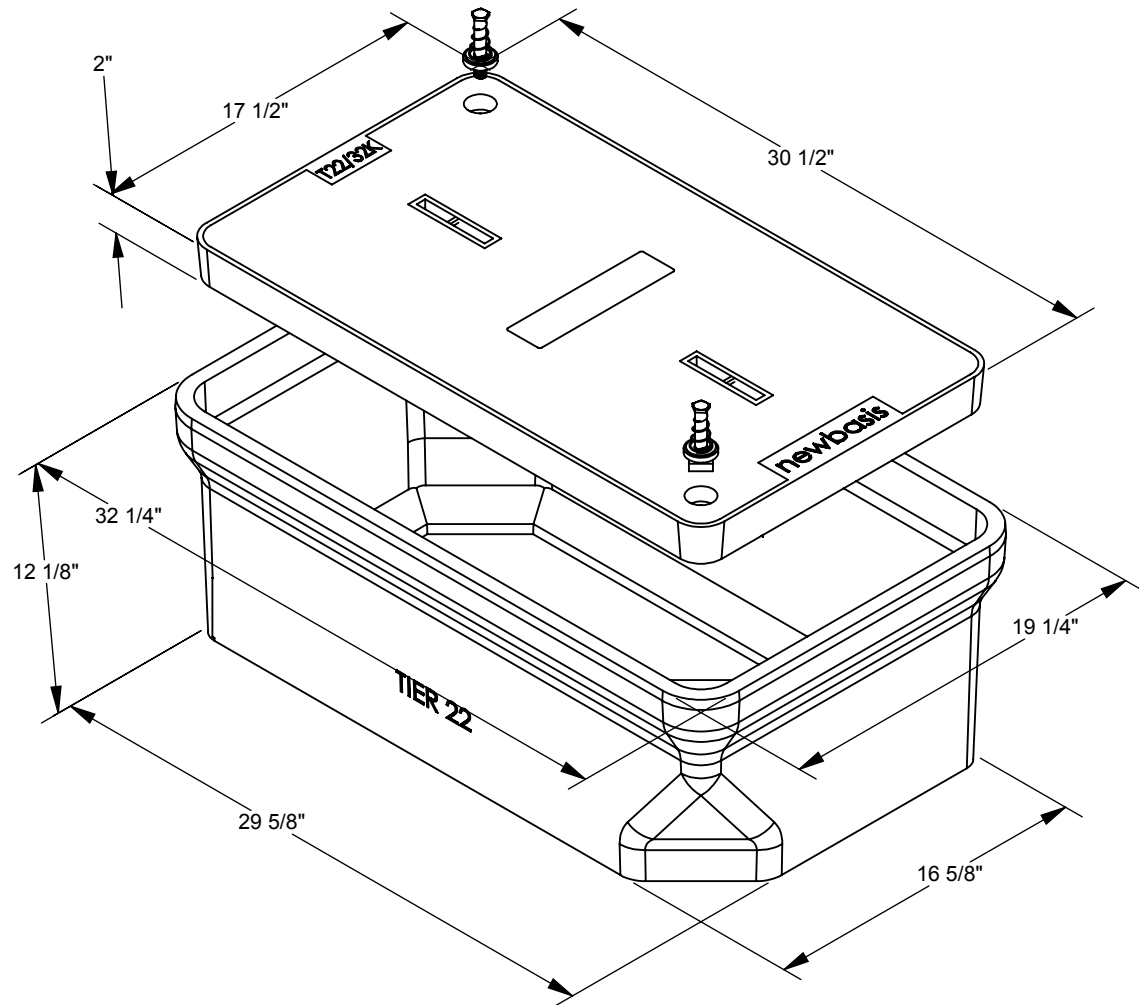
951.787.0600

951.787.0632 (fax)

info@newbasis.com

newbasis.com

**PCX**<sup>™</sup>  
POLYMER CONCRETE  
The Next Generation



### Inside Dimensions

Length	Width	Depth
29 1/2"	16 1/2"	9 7/8"
27 3/4"	14 3/4"	

Rev: A.0

# PCA173012-90141

PCX POLYMER CONCRETE ASSEMBLY



Polymer Concrete Assembly, Straight Sides, No Floor, WUC 3.6, ANSI/SCTE 77-T22/32K, " 1/2" Captive Penta Bolts, Power EMS, Custom Stencil, Custom Nameplate (Specify at time of order) Cast-In

17" X 30" X 12" For actual dimensions, see drawing on front side.

## AVAILABLE OPTIONS

- T22/32K Rating
- 1/2" Captive Penta Bolts
- Telephone EMS
- Power EMS
- Custom Nameplate Installed
- Custom Nameplate Cast-in
- Custom Nameplate Shipped Separately
- Standard Nameplate Installed
- Standard Nameplate Cast-in
- Standard Nameplate Shipped Separately

- Indicates a selected option

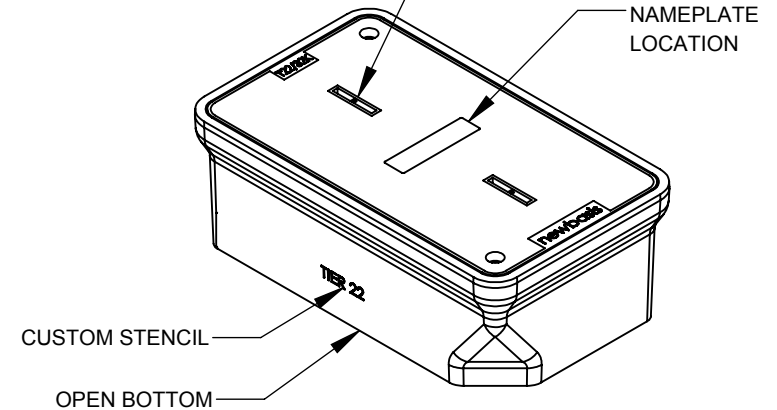
## NAMEPLATES

One standard nameplate included with each assembly, installed at the factory or easily installed in the field. Custom nameplates are available. Contact customer service.

### Standard Nameplates

- Electric
- Telephone
- Fiber Optic
- Water
- Street Lighting
- Broadband
- Traffic
- CATV
- Traffic Signal
- Communications

LIFT PIN FOR HAND HOLE COVER HOOK  
(NEWBASIS P/N:0701 OR EQUIVALENT)



Rev: A.0

## MATERIAL PROPERTIES AND ATTRIBUTES

**Compressive Strength**  
Polymer Concrete - 11,500 PSI  
Per ASTM D695

**Flexural Strength**  
Polymer Concrete - 4,000 PSI  
Per ASTM D790

**Coefficient of Friction (Dry)**  
**1.085**  
Per ASTM C1028

- Polymer Concrete
- Advanced composite: Very high strength to weight ratio
  - Non-metallic
  - Non-conductive
  - UV Resistant
  - High impact resistant
  - Impervious to chemicals and moisture

Materials tested in accordance with ASTM D-543 and ASTM D-570

## WEIGHTS AND SHIPPING

COVER WEIGHT: 57.9 lbs.

BOX WEIGHT: 71.2 lbs.

ASSEMBLY WEIGHT: 129.1 lbs.

LOADED PALLET WEIGHT: 1,204.7 lbs.

Standard shipping includes van delivery of pallet quantities to the lower 48 states. Partial pallet quantities and flat bed shipping available at an additional cost.

## PACKAGING (Steel Banding, Edge Protection)

PALLET QUANTITY: 9

