

PCA111812-90128

PCX POLYMER CONCRETE ASSEMBLY

11" X 18" X 12"
(For actual dimensions see drawing)

Polymer Concrete Assembly, Straight Sides, No Floor, WUC 3.6, ANSI/SCTE 77-"T22/32K", 1/2" Captive Penta Bolts, Power EMS, Custom Stencil, Custom Nameplate (Specify at time of order)
Cast-In

LOAD RATINGS

Incidental Traffic - Parking Lot, Sidewalk
Conforms to:

- WUC 3.6
- ASTM C 857
- ANSI/SCTE 77

FEATURES:

- UL Classified Polymer Concrete
- Drop-In nameplate
- Shipped assembled
- Skid resistant cover
- Stainless steel bolts
- Cast-in floating nut box
- Integral drain holes

Additional product information
continued on the reverse

newbasis
Composites for Infrastructure

2626 Kansas Avenue
Riverside, California 92507

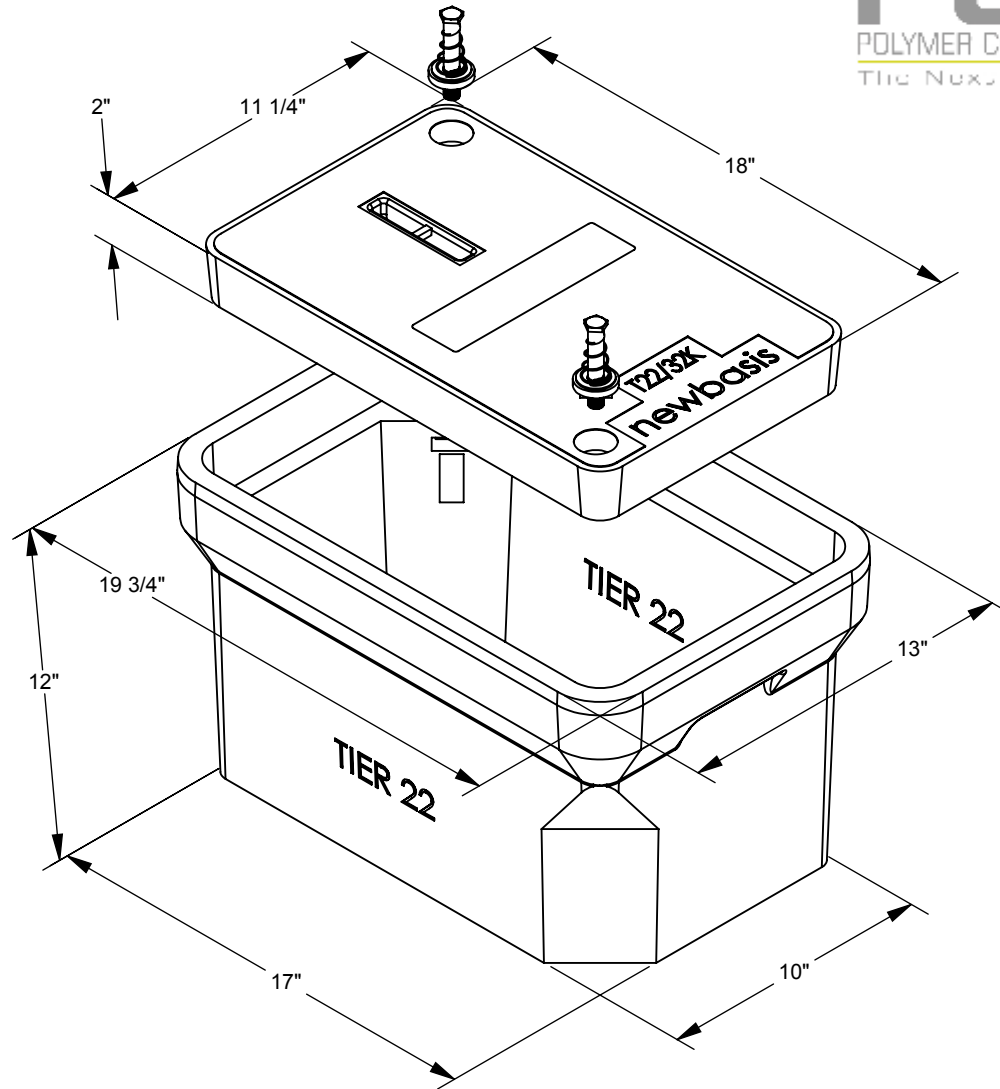
951.787.0600

951.787.0632 (fax)

info@newbasis.com

newbasis.com

PCX[™]
POLYMER CONCRETE
The Next Generation



Inside Dimensions

Length	Width	Depth
16 9/16"	9 13/16"	10"
14 1/8"	7 3/8"	

Rev: A.0

PCA111812-90128

PCX POLYMER CONCRETE ASSEMBLY



Polymer Concrete Assembly, Straight Sides, No Floor, WUC 3.6, ANSI/SCTE 77-
"T22/32K", 1/2" Captive Penta Bolts, Power EMS, Custom Stencil, Custom Nameplate
(Specify at time of order) Cast-In

11" X 18" X 12" For actual dimensions, see drawing on front side.

AVAILABLE OPTIONS

- Tier 22 Load Rating
- 1/2" Captive Penta Bolts
- Penta Bolts
- Telephone EMS
- Power EMS
- Custom Stencil
- Custom Nameplate Cast-In
- Custom Nameplate Installed
- Custom Nameplate Shipped Separately
- Standard Nameplate Installed
- Standard Nameplate Cast-in
- Standard Nameplate Shipped Separately

- Indicates a selected option

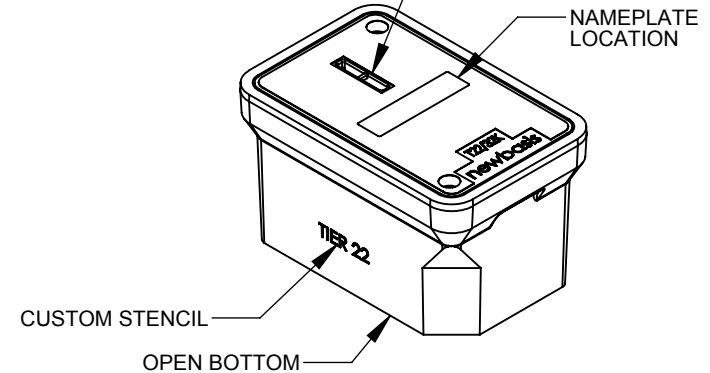
NAMEPLATES

One standard nameplate included with each assembly, installed at the factory or easily installed in the field. Custom nameplates are available. Contact customer service.

Standard Nameplates

- Electric
- Telephone
- Fiber Optic
- Street Lighting
- Traffic
- CATV
- Communications

LIFT PIN FOR HAND HOLE COVER HOOK
(NEWBASIS P/N:0701 OR EQUIVALENT)



Rev: A.0

MATERIAL PROPERTIES AND ATTRIBUTES

Compressive Strength
Polymer Concrete - 11,500 PSI
Per ASTM D695

Flexural Strength
Polymer Concrete - 4,000 PSI
Per ASTM D790

Coefficient of Friction (Dry)
1.085
Per ASTM C1028

- Polymer Concrete
- Advanced composite: Very high strength to weight ratio
 - Non-metallic
 - Non-conductive
 - UV Resistant
 - High impact resistant
 - Impervious to chemicals and moisture

Materials tested in accordance with ASTM D-543 and ASTM D-570

WEIGHTS AND SHIPPING

COVER WEIGHT: 24.1 lbs.

BOX WEIGHT: 34.8 lbs.

ASSEMBLY WEIGHT: 58.9 lbs.

LOADED PALLET WEIGHT: 1,273 lbs.

Standard shipping includes van delivery of pallet quantities to the lower 48 states. Partial pallet quantities and flat bed shipping available at an additional cost.

PACKAGING (Steel Banding, Edge Protection)

PALLET QUANTITY: 21

