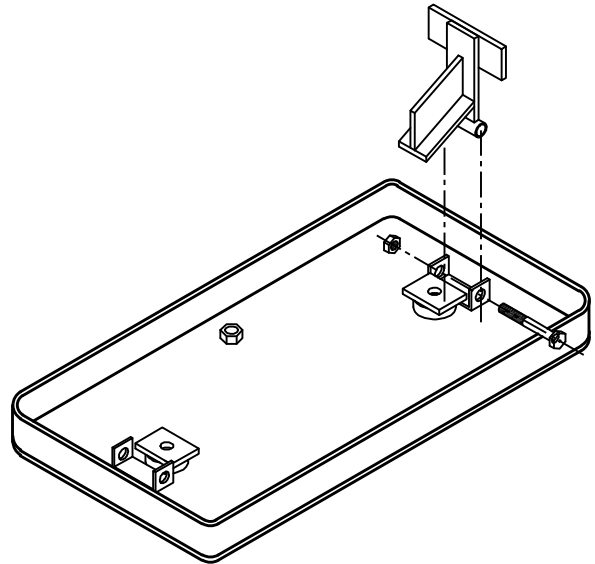
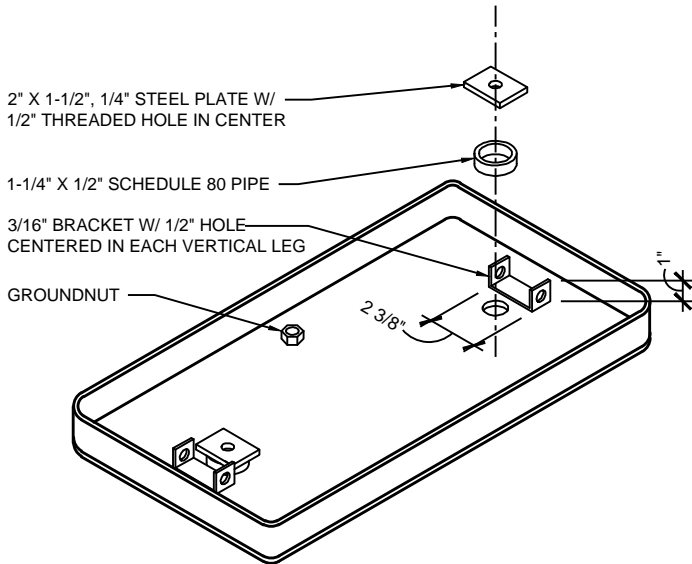


SECURITY LID

SCALE: 1-1/2" = 1'-0"



MR STEEL SECURITY LID	A	B
# LA1	14 3/4"	8 1/2"
# 3 1/2 T	14 7/8"	9 3/4"
# 3 1/2	15 1/4"	10"
# 5	20 5/8"	10 1/2"
# LA2	21 1/4"	11 3/8"
# 7	23 1/4"	13 3/4"
# LA3	29 3/4"	13 3/4"
# 9	30 1/2"	17 1/2"
# 40	35 1/2"	24"
# 44	43 1/8"	21 1/4"
# 48	47 3/4"	30 1/8"

ELECTRICAL PROPERTIES OF INYATI 6750 UV BLACK POLYUREA LINING MATERIAL		
ELECTRICAL PROPERTIES	ENGLISH	COMMENTS
1. ELECTRICAL RESISTIVITY	1.00e+10 - 1.00e+13 ohm-cm	AVERAGE VALUE: 3.37e+12 ohm-cm
2. SURFACE RESISTANCE	1.00e+10 - 1.00e+12 ohm	AVERAGE VALUE: 3.70e+11 ohm
3. DIELECTRIC CONSTANT	4.10 - 7.10	AVERAGE VALUE: 5.73
4. DIELECTRIC STRENGTH	787 - 1240 kV/in	AVERAGE VALUE: 1084 kV/in
5. DISSIPATION FACTOR	0.0240 - 0.200	AVERAGE VALUE: 0.0577
6. COMPARATIVE TRACKING INDEX	600 V	AVERAGE VALUE: 600 V

mr STEEL SECURITY LID
ANSI 77-2010 TESTED

